

RDQH Series

Automatic transfer switch



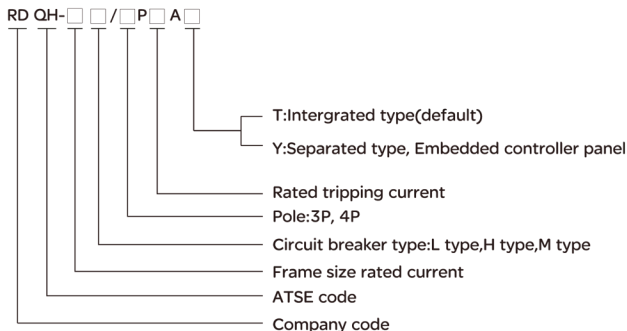
Application

RDQH automatic transfer switch is applicable for power system of AC50Hz, rated operation voltage 380V, rated operation current 10A to 1600A. It transfers circuit between two circuit power supplies according to needs. This product has protection against overload, short-circuit, under-voltage, and also has fire protection, two circuit breaks and output making signal function.

RDQH Series

Automatic transfer switch

Model No.



Normal operation condition and installation condition

3.1 installation location altitude should not exceed 2000m.

3.2 ambient temperature shall not exceed +40°C, but shall not lower than 5°C. Daily average temperature shall not exceed +35°C

3.3 Humidity: Relative humidity is not more than 50% when temperature is +40°C, and the higher humidity is accepted if temperature is lower.

3.4 Pollution level: 3

3.5 installation location do not be influenced by weather and impact. Upper terminal connects power side, lower terminals connects load side. tilt angle with the vertical plane shall not exceed 5°.

3.6 Installation type: III.

3.7 External magnetic field of the installation place nearby does not exceed 5 times of earth magnetic field at any direction.

RDQH Series

Automatic transfer switch

Technical parameter

4.1 Main technical parameter see Table 1.

Table 1

Product performance parameter					
Standard		IECL00947-6-1			
ATSE type		CB Type			
Usage type		AC-33iB			
Rated operation voltage Ue		AC380V-400V			
Rated operation frequency		50Hz			
switch control voltage		AC230V,AC400V			
Rated insulation voltage Ui		AC690V			
Mini transfer action time		≤3s			
Life	Electrical life	< 400A	1500 times	≥400A	1000 times
	Mechanical life		4500 times		3000 times

4.2 Specification see Table2

Table 2

Specification	Frame size	Rated operational current Ie(A)	Rated short-circuit impulse withstand voltage Uimp	Rated short-circuit breaking capacity Icn
RDQH-63	63	10、16、20、25、32、40、50、63	8kV	5kV
RDQH-100	100	32、40、50、63、80、100	8kV	10kV
RDQH-225	225	100、125、160、180、200、225	8kV	10kV
RDQH-400	400	225、250、315、350、400	8kV	10kV
RDQH-630	630	400、500、630	8kV	13kV
RDQH-800	800	630、800	10kV	16kV
RDQH-1250	1250	800、1000、1250	12kV	25kV
RDQH-1600	1600	1250、1600	12kV	25kV

RDQH Series

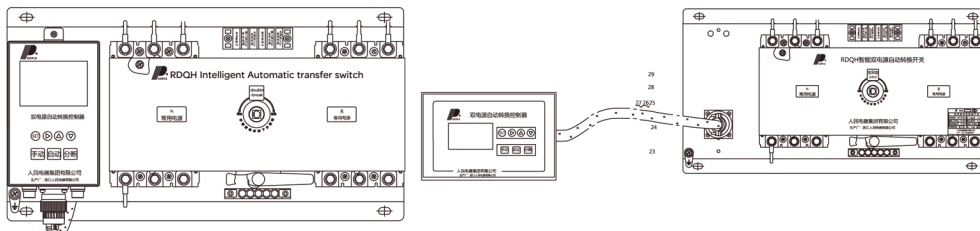
Automatic transfer switch

4.3 Controller function,see Table3

Table 3

Model No.	RDQH ATSE Intelligent controller
installation type	Intergated type, separated embedded plane type
operational type	Manual, automatic,double-open
monitoring function	phase-loss,voltage-loss,undervoltage,overvoltage>manual,automatic,double-open
conversion method	Auto change and auto recovery,Auto change and no auto recovery, Mutual standby, power optimized selection
native function	fire protection breaking,generator start signal,tripping alarming
delay time of power supply switching	0s to 999s (sets by user)
double-open delay	1s to 10s(sets by user)
system type setting	1#city power2#city power, 1#city power2#generator power, 1#generator power2#city power

4.4 Intergated type separated type of intelligent



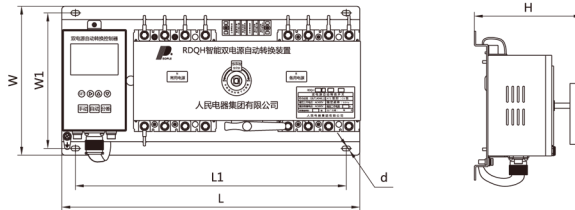
Note: RDQH ATSE,difference of Intergated type and separated type:Intergated production controller and switch body connecting together as a whole,the separated type makes the control panel be installed at the cabinet door with wire.Their controller has same size.

RDQH Series

Automatic transfer switch

Appearance and installation dimension

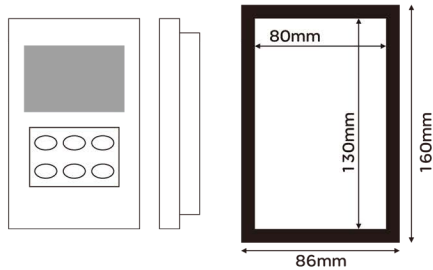
5.1 Appearance and installation dimension



Dimensions Specification	Appearance			Installation			
Frame size	Pole	L	W	H	L1	W1	ϕ d
RDQH-63	3P	375	215	120~130	338	195	6
	4P	400	215	120~130	364	195	6
RDQH-100	3P	410	220	120~140	370	200	6
	4P	440	220	120~140	400	200	6
RDQH-225	3P	450	220	165~180	410	200	6
	4P	485	220	165~180	445	200	6
RDQH-400	3P	560	325	250	510	305	8
	4P	610	325	250	560	305	8
RDQH-630	3P	640	325	260	600	305	8
	4P	700	325	260	650	305	8
RDQH-800	3P	670	330	260	630	305	12
	4P	790	330	260	750	305	12
RDQH-1250	3P	670	470	290	615	370	12
	4P	800	470	290	745	370	12
RDQH-1600	3P	670	470	290	615	370	12
	4P	800	470	290	745	370	12

RDQH Series

Automatic transfer switch



Separated type controller plane open hole size:80mmX130mm